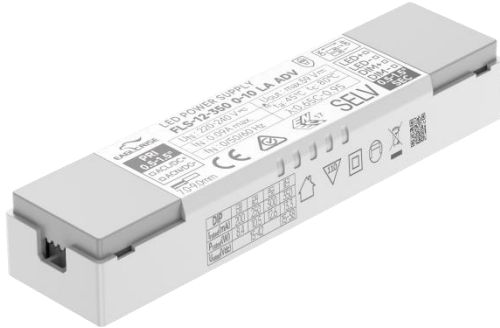


## 12W 0-10V+RX+PWM Dimming power supply



■ Approve



### Features

- For luminaries of protection Class II, SELV, Independent
- Input Voltage 220-240VAC
- Protections: SCP/OLP/OVP/OTP
- Power Factor : 0.95
- Efficiency : 84%
- Support 0-10V,RX,PWM Dimming
- 5 years warranty

### Applications

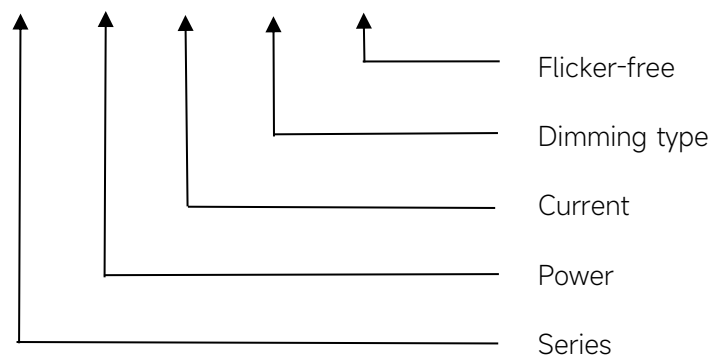
- LED panel, Spot light, Down light

### ◆ Description

FLS-12-350 0-10 LA ADV is a 12W constant current LED driver with 200 to 350mA output current and a forward voltage range from 15 to 42Vdc. The output current is adjustable by DIP Switch. With it's dimensions from 115 x 30 x 20.5 mm. It is easy to integrate in LED strips, LED panel, spot and down light products. To ensure trouble-free operation, protection is provided against output short circuit, over Load and over voltage.

### ◆ Model code

#### FLS-12-350 0-10 LA ADV



## ◆ Specification

	Constant Current (mA)	200mA	250mA	300mA	350mA
Output	Voltage Range (VDC)	15-42VDC			15-38VDC
	Unload voltage Max.	59VDC			
	Current Accuracy	±5%			
	Output LF current ripple(≤120Hz)	±5%			
	SVM	≤0.4@Full Load,230VAC			
	P <sub>st</sub>	≤1@Full Load,230VAC			
	Efficiency(Typ.)	84%@Full Load,230VAC			
	EOFI	100%			
	Input	Rated input voltage	220-240V		
Range of input voltage		198-264VAC			
Maximum voltage		300VAC@1 h maximum,unit might not operate in this abnormal condition			
Rated input voltage(DC)		176-280VDC			
Frequency(Hz)		0/50/60 Hz			
Displacement factor		≥0.95@Full Load,230VAC			
Power Factor		0.95@Full Load,230VAC			
Input Current		0.09A@Full Load, 198VAC			
Start-up time		< 0.5S			
No Load Power		≤0.5W			
Standby Power		≤0.5W			
THD (Typ.)		<10%@Full Load,230VAC			
Dimming	Dimming	YES			
	Dimming mode	0-10V,RX,PWM			
	Dimming depth	1%			
	Dimming current range	1%-100%			
Protection	Over Load Protection	103-120% YES/Auto Resume			
	Over Voltage Protection	> 59VDC YES/Auto Resume			
	Short circuit Protection	YES/Auto Resume			
capability	Surge capability (L-N)	1KV			
	Surge capability (L/N-Ground)	NA			
Withstand voltage	Input-Output	3750V/5mA/60S			
Environment	Operating Temperature	-20°C~+45°C			
	Humidity	20%-90%RH			
	T <sub>c</sub>	80°C			
	Storage Temperature	-25°C~+80°C			

	Lifetime	>50000h,@Tc=75°C
	Noise	≤25dB(A)@20cm
Surface	Dimension	115X30X20.5mm
	material	PC
Standards	Safety	GB19510. 1, GB19510. 14;IEC61347- 1, IEC61347-2- 13;AS/NZS 61347- 1, AS/NZS 61347-2- 13;AS 61347.2.13;EN62384;
	EMC	GB/T17743, GB17625. 1;EN55015, EN61000-3-2, EN61000-3-3, EN61547;EN55015, EN61000-3-2, EN61000-3-3, EN61547,EN 62493;EN61000-4-5;EN61000-4-2,3,4,5,6,8,11, EN61547
	ErP	Erp2.0 EU 2019/2020
	RoHS	RoHS (2011/65/EU) (EU)2015/863
Note	<p>1.All parameters NOT specially mentioned are measured at 230VAC input , full load and 25°C of ambient temperature.</p> <p>2.Ripple &amp; Noise are measured at 20MHz of bandwidth by using a 300mm twisted pair-wire terminated with a 0.1uF &amp; 47 uF parallel capacitor.</p> <p>3.Data are typical values obtained from test samples.</p> <p>4.The over-temperature protection of the product is provided by the IC.</p> <p>5.All Eaglerise power supply are complied with EMI regulations. Since they are belong to component and will be installed inside system enclosure. When they are integrated into a system, the EMI characteristics of the system must be re-verified again.</p>	

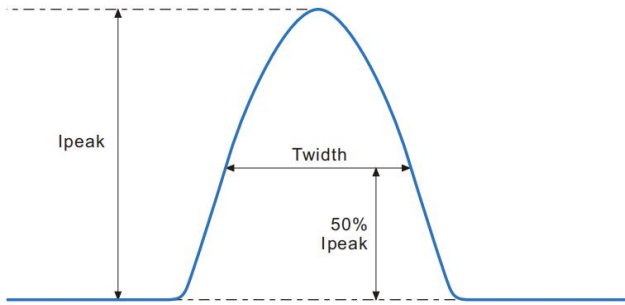
## ◆ Parameter

Number	Output				Switch position	
	Current (mA)	Voltage (VDC)	Voltage No load (VDC)	Power (W)	1	2
1	200mA	15-42VDC	59VDC	8.4	--	--
2	250mA			10.5	ON	--
3	300mA			12.6	--	ON
4	350mA	15-38VDC		13.3	ON	ON

\* Factory default

### ◆ Inrush Current

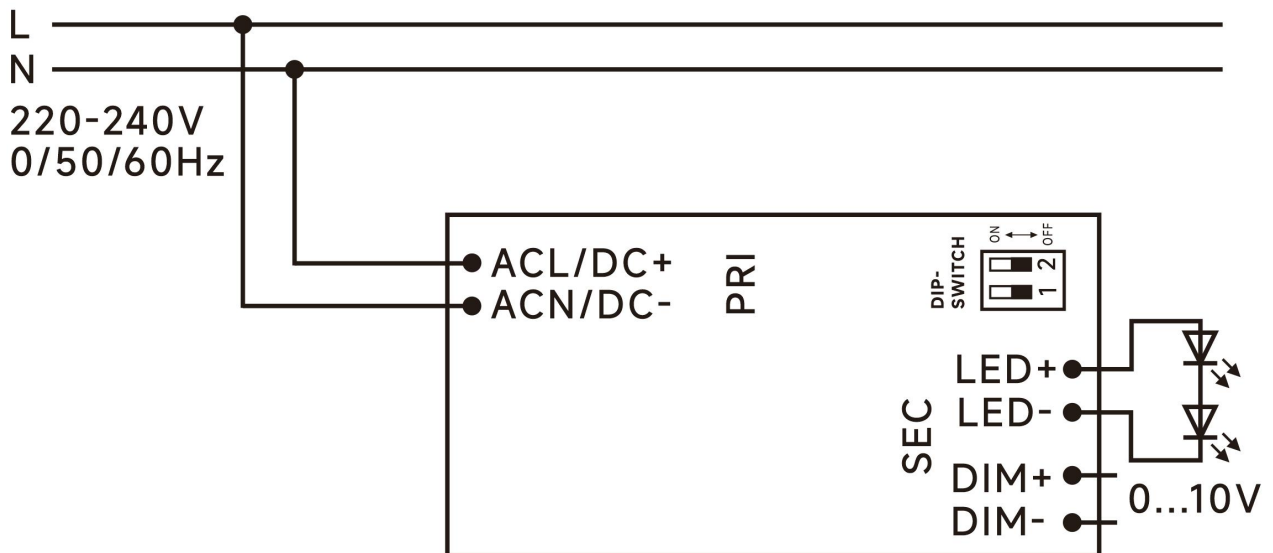
I <sub>peak</sub>	T <sub>width</sub>	B10	B16	B20	C10	C16	C20
2.78A	36μs	88pcs	142	177pcs	88pcs	142pcs	177pcs



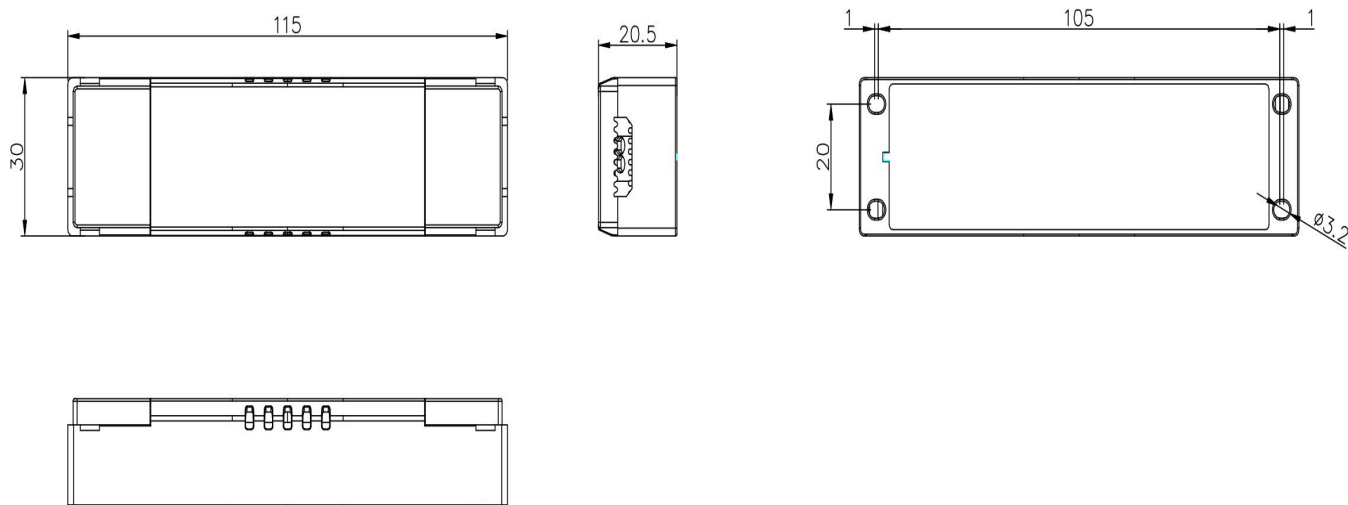
**Remarks:**

- 1.The number of drives mounted under different MCBs in the table is the maximum value. Please do not exceed this number during installation.
- 2.Different brands and models of miniature circuit breakers, the number of drives mounted will be slightly different.

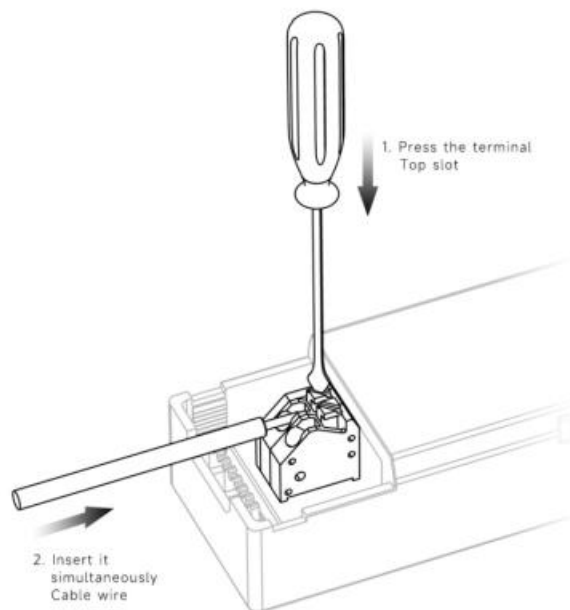
### ◆ Wiring diagram



◆ **2D diagram**



**Terminal**



## ◆ Wiring & Connections

Specification item		Value (Unit )
Input	Input wire cross-section	0.5...1.5 mm <sup>2</sup>
	Input wire gauge.	16...20 AWG
	Input wire strip length	8...9mm
Output	Output wire cross-section	0.5...1.5 mm <sup>2</sup>
	Output wire gauge.	16...20 AWG
	Output wire strip length	8...9mm

## ◆ Recommended wire

Wire cross-section	Wire type
2*0.5mm <sup>2</sup>	H03VVH2-F 2core
2*0.75mm <sup>2</sup>	H03VVH2-F 2core
1.5mm <sup>2</sup>	CCC 08(RV-90)
16AWG(1.25mm <sup>2</sup> )	UL1015

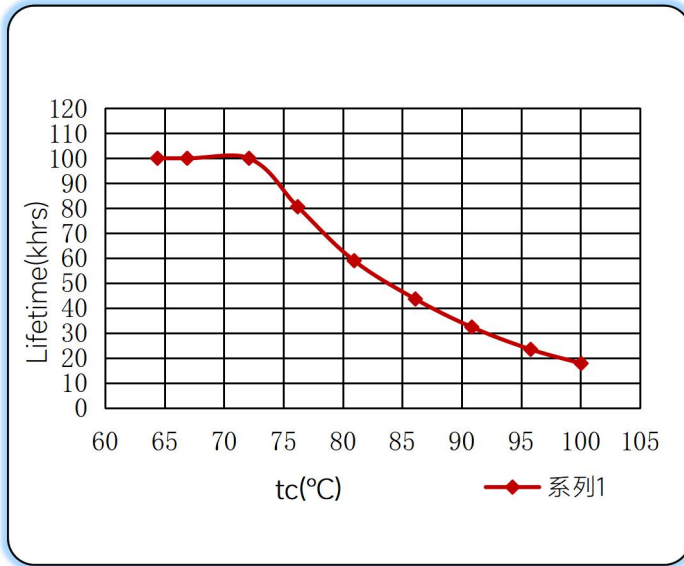
Note: Solid wire is risky to use on an angled terminal. Stranded wire is recommended for this kind of use.

## ◆ Packaging

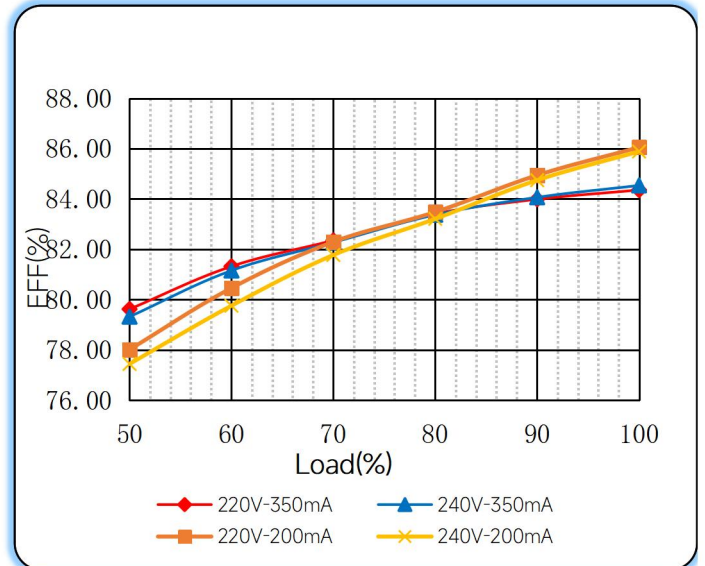
Model	Product Dimensions(mm)	weight/piece(Kg)	Outer carton dimension(mm)	Quantity/carton	Net weight/carton(Kg)	Gross weight/carton(Kg)
FLS-12-350 0-10 LA ADV	115X30X20.5mm	0.052	370X275X215mm	203	10.6	11.3

◆ **Curve for FLS-12-350 0-10 LA ADV, I<sub>o</sub>=200/350mA**

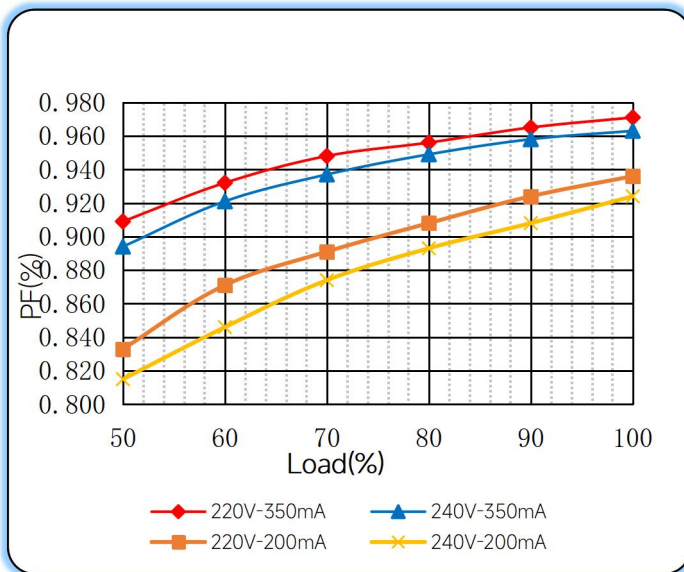
Lifetime vs. Temperature Curve



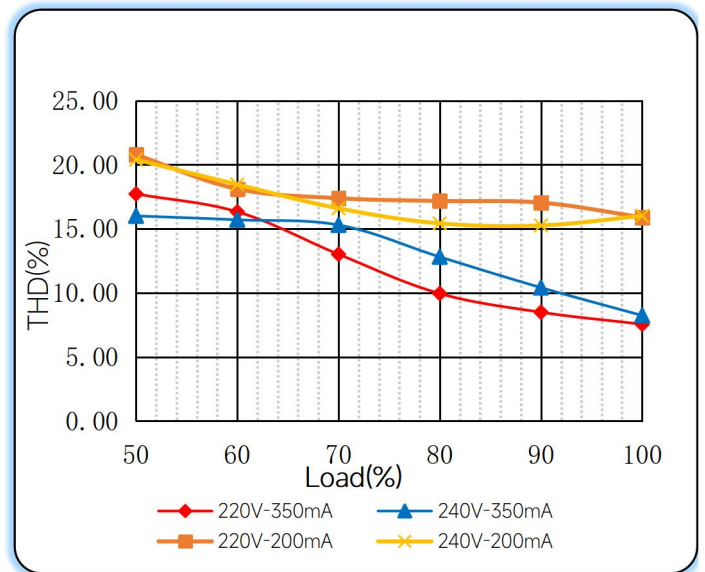
Efficiency vs. Load



Power Factor Characteristics

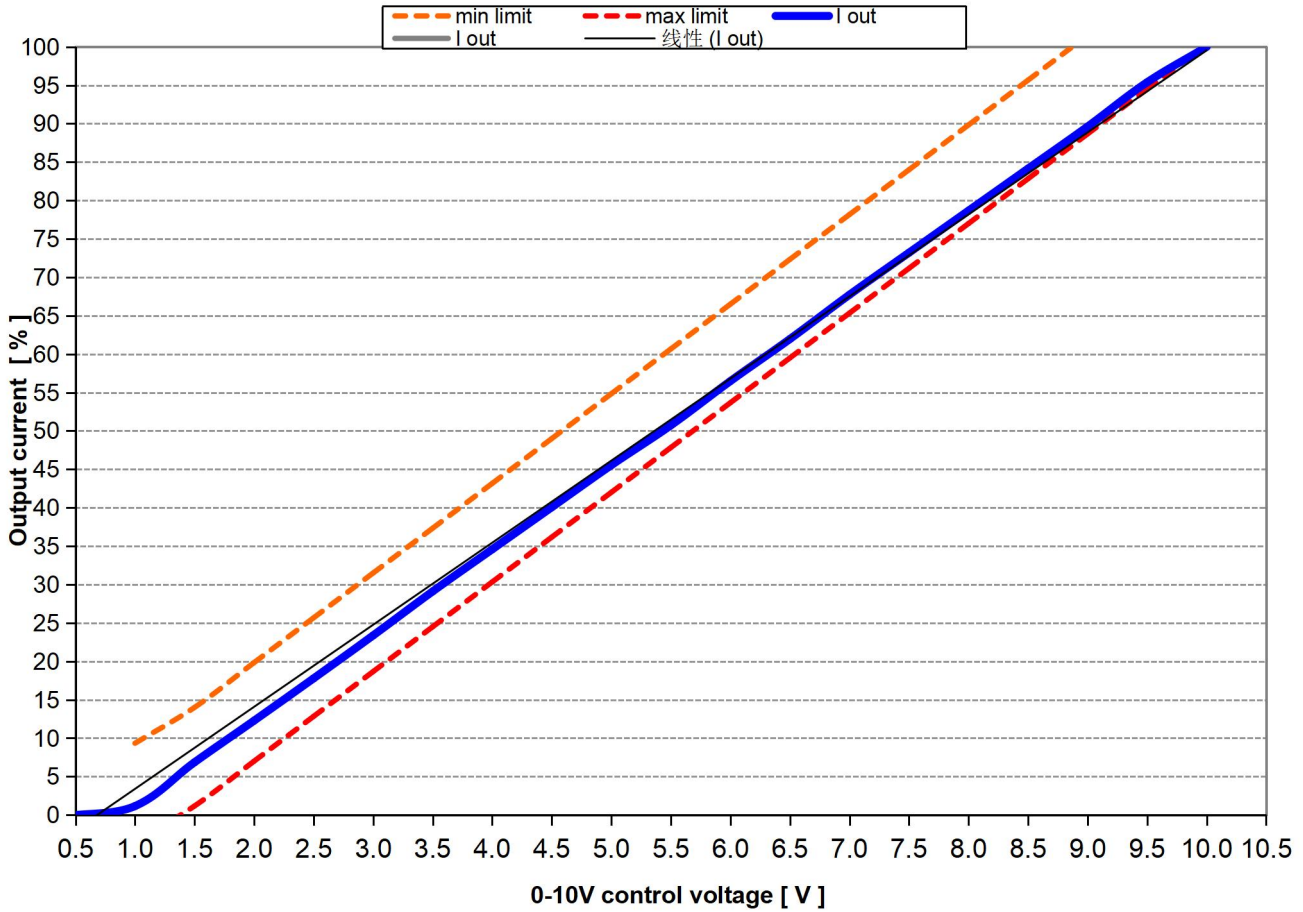


THD vs. Load

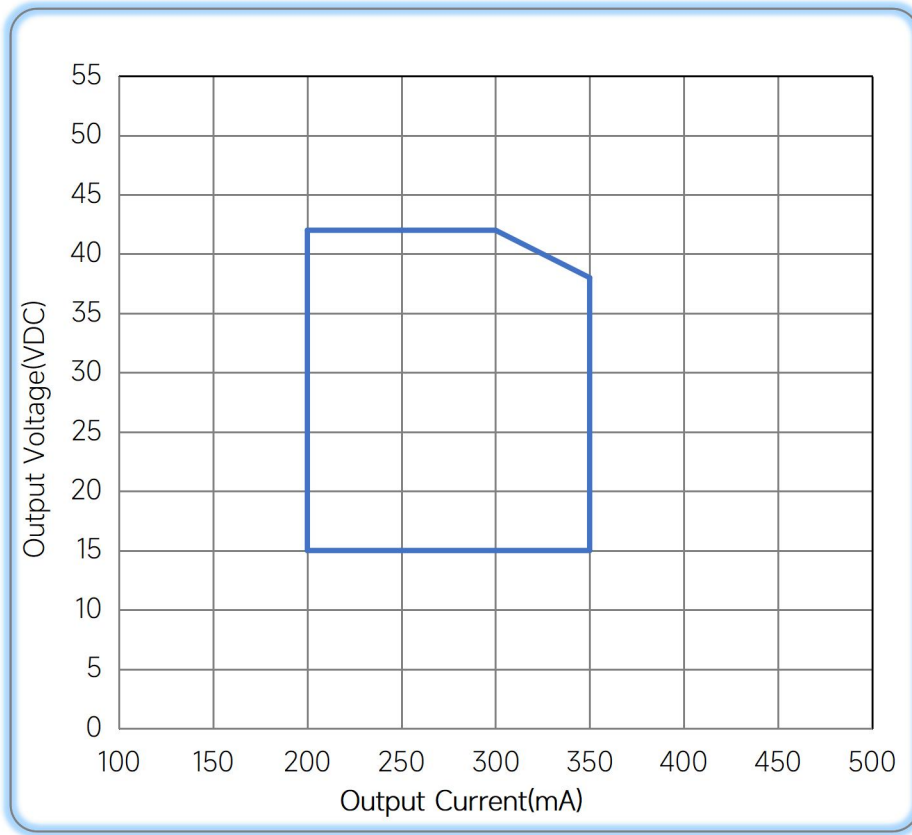


◆ **Dimming Curve**

**Output @ 0-10V control voltage**



◆ **Operating window**



— Operating window 100%

◆ **Revision Updates**

ITEM	BEFORE	AFTER	VERSION	DATE
Initial			A	2025/11/13

Remark: The final interpretation of the contents of the specification belongs to Eaglerise Electric & Electronic (China) Co., Ltd.

Tel: +86-0757-86256822, +86-0757-86256831

E-mail: sales@eaglerise.com

Website : <https://lighting.eaglerise.com>



EAGLERISE



Manual